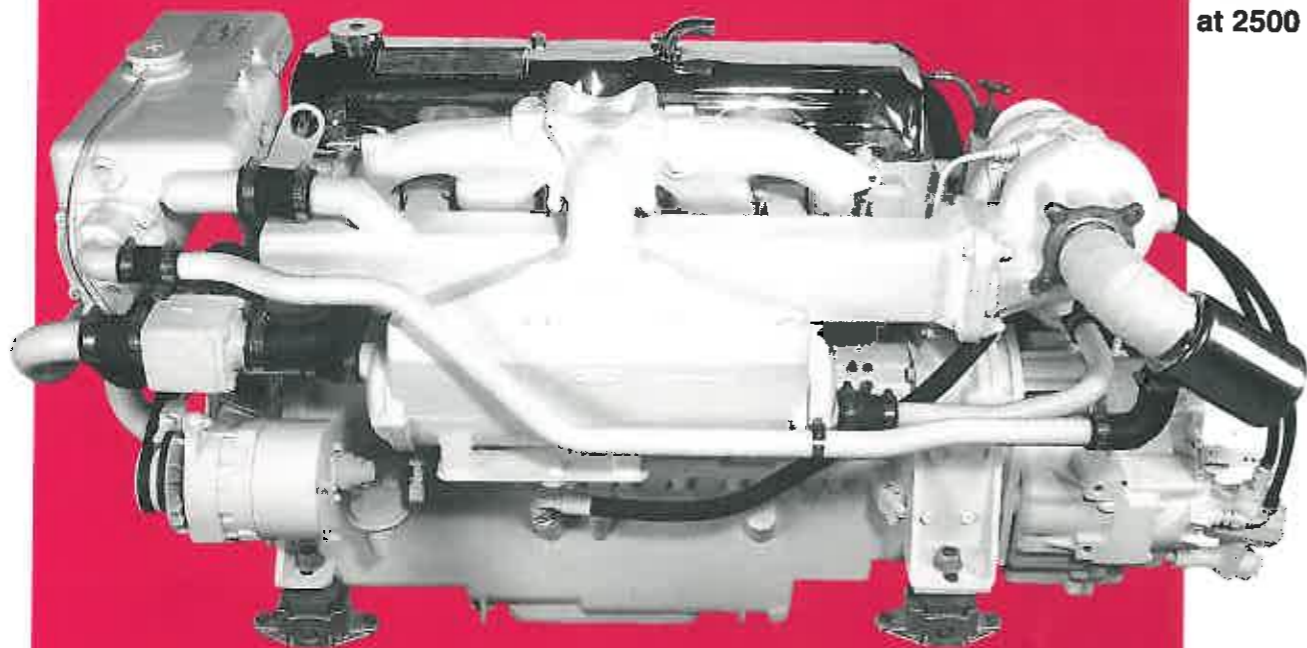




Mermaid Marine Diesel Engine

'MAJESTIC'

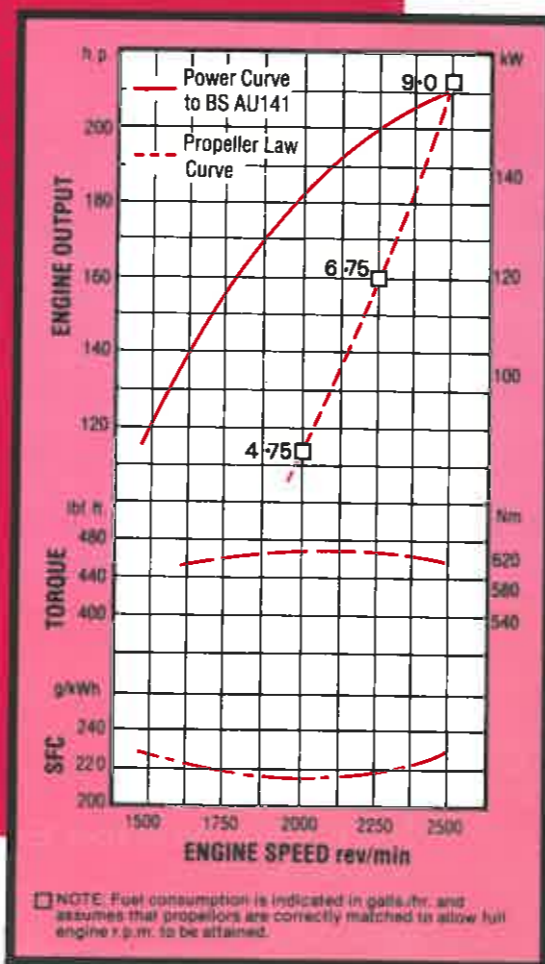
Developing
212 b.h.p.
at 2500 r.p.m.



The Mermaid "Majestic" is a 6 cylinder, turbo-charged and inter-cooled high performance marine diesel engine and is based on the highly reliable Ford "Dover series" engine. At its full rating this engine is particularly suitable for fast pleasure craft and in the continuously rated version the Mermaid "Majestic" is suitable for all commercial duties including fast fishing boats, rescue craft and patrol boats of all types. To meet the requirements of these varied applications the design incorporates the very latest diesel engine technology to minimise noise levels and exhaust emissions whilst maintaining a very good power to weight ratio. The engine features an oil piston cooling arrangement to maintain low piston temperatures and a specially matched water cooled turbo-charger and high capacity intercooling system to enable quite exceptionally low fuel consumption to be achieved.

Each engine is "Hand built" to the highest possible standards and incorporates a high efficiency, split flow, fresh water cooling system which utilises a twin pass heat exchanger and a twin "V" belt drive for the fresh water circulating pump and alternator for the extra reliability for which Mermaid engines are renowned.

After assembly every engine is dynamometer tested to ensure it performs to specification and finally is carefully finished in Mermaid enamel to protect the engine throughout its life.



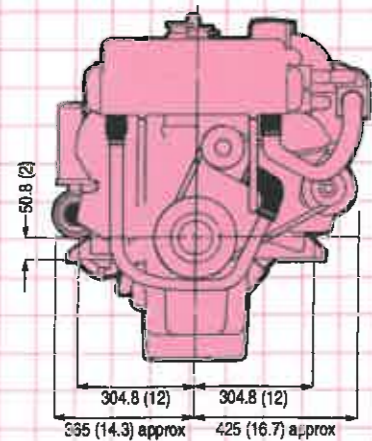
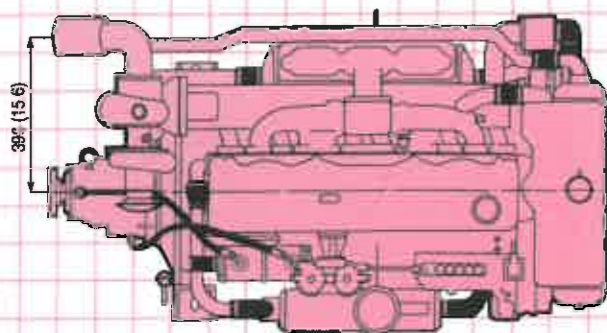
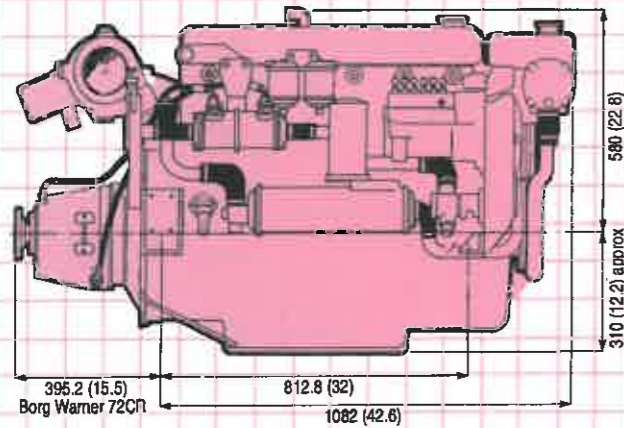
Mermaid Marine Engines Ltd



Mermaid Marine Diesel Engine

'MAJESTIC'

Dry Weight (Bobtailed) 605 kg (1330 lbs)
Maximum Installation Angle (including trim) 15°



Dimensions in mm (inches in brackets)

Specification

No. of Cylinders	6
Bore	4.12 ins (105mm)
Stroke	4.52 ins (115mm)
Capacity	363 cu in (5950 cc)
Compression ratio	15.7:1
Fuel System	In-line C.A.V. fuel injection pump with variable speed governor, automatic bleeding and excess fuel facility for cold starting. A dual fuel filter, high pressure fuel lift-pump and boost control system are fitted as standard.
Turbocharger	Holset water-cooled
Lubrication	A high capacity crankshaft driven oil pump feeds oil to the unique fresh water cooled Mermaid "Super-Cooler" fitted with a spin-off filter. This "Super-Cooler" provides fast warm up and maintains optimum oil temperature for long engine life.
Cooling	An indirect cooling system is standard incorporating a twin pass heat exchanger and a gear driven high flow raw water pump. The pressurised freshwater split flow system includes a high capacity centrifugal type freshwater pump, accessible by-pass thermostat, exhaust manifold and water-cooled turbocharger. Piston cooling is provided by oil jets.
Electrical system	The standard 12 volt electrical equipment includes a 70 amp alternator, starter motor, starter switch and stop solenoid. Optional extra equipment can include 12 volt or 24 volt insulated earth return equipment and twin or high output alternators as required.
Instrumentation	A comprehensive Instrument panel using VDO Marine electric instruments with an alarm system for both high water temperature and low oil pressure is provided with a 6 meter loom with plug and socket terminations at both ends.
Accessories	The following equipment is provided as standard with every engine:- Fully adjustable marine resilient mountings, Morse cable brackets for speed and gear control, stainless steel water injection bend and flexible fuel pipes. A very comprehensive range of optional equipment is available to provide a complete installation "package" for any application.
Marine Transmissions	Transmissions are recommended according to the application and installation requirements and alternatives include Borg Warner 10-18 series or the Hurth HSW 630A down angle gear. For commercial applications the PRM 402 or heavy duty PRM 601 are recommended. All these transmissions are available with a wide range of reduction ratios.

Distributor:

Mermaid Marine Engines Ltd

70-72 Cobham Road
Ferndown Industrial Estate
Wimborne, Dorset BH21 7RN
Telephone: (01202) 891824 Fax: (01202) 895882